

Rodgers

ORGAN COMPANY

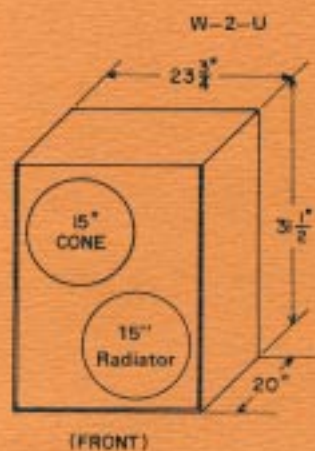
SPEAKER SYSTEMS

Rodgers Tone Cabinets are designed to deliver either a full spectrum of organ tones or that segment of the spectrum corresponding to the range of the voices it must reproduce. The fidelity of each system is uncompromising—from the lowest tones of the 30-inch "Super-Woofer" to the highest produced by the tiny "Tweeters."

Several of the Tone Cabinets are offered in two models. One is a finely-finished piece of furniture that matches the color of the organ. It has no visible grille cloth or louvers to detract from the graceful configuration of its lines. Its speakers are arranged to project the sound from the rear of the cabinet toward the wall. This avoids the "pin-point source effect" produced by a speaker system that projects its sound toward the listener. The sound from the Rodgers Tone Cabinet seems to come from all parts of the room.

These same speaker systems are available as Utility Cabinets, also. These are not finished in Hardwoods and are only used in enclosures, or chambers. Acoustically, they are the same cabinets.

Like the Rodgers organ console, the tone cabinets are completely transistorized. They are fully guaranteed for a period of five years from date of purchase.

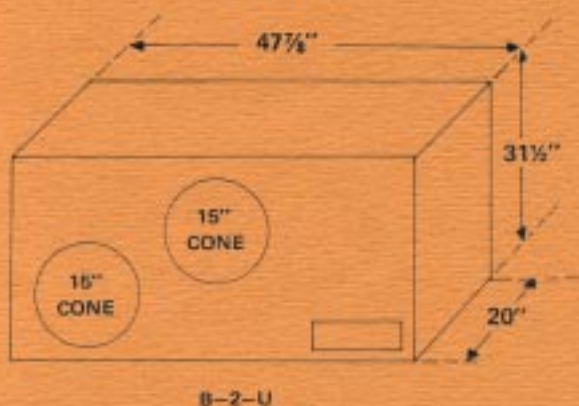


Contains:

- 1 — J. B. Lansing 15" Speaker
- 1 — J. B. Lansing Passive Radiator
- 1 — Rodgers S-100 Transistor Amplifier

Weight: 115 lbs. Utility Finish.

For installations where tone chamber space is extremely limited the W-2 is a Premium-Performance Speaker System to carry the Pedal voices. Also available in a Furniture Finished Cabinet. (RW-2, Weight 125 lbs.)

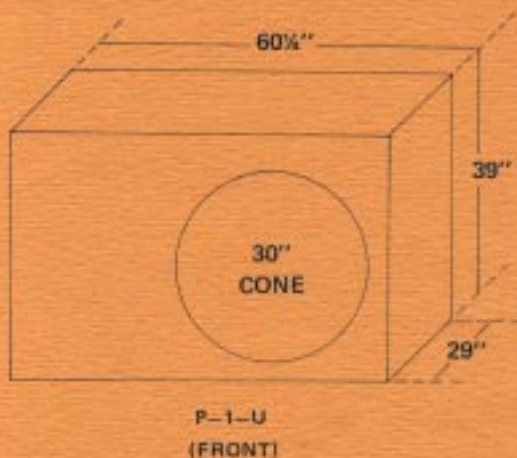


Contains:

- 2 — 15" Electro-Voice Speakers
- 1 — Rodgers S-100 Transistor Amplifier

Weight: 150 lbs. Utility Finish.

The B-2 Pedal Speaker System is a Bass-Reflex cabinet that is recommended for use in churches and auditoriums seating between 200 and 400.

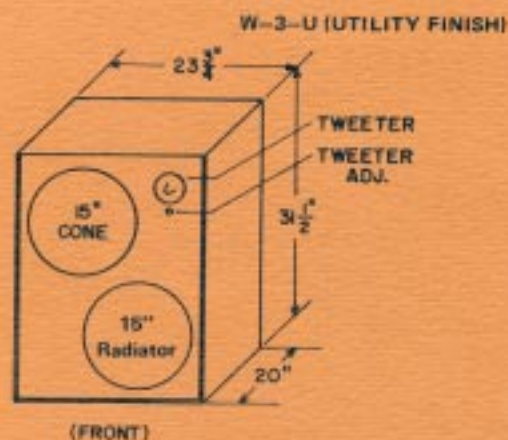


Contains:

- 1 — 30" Electro-Voice "Super-Woofer"
- 1 — Rodgers S-100 Transistor Amplifier

Weight: 214 lbs. Utility Finish.

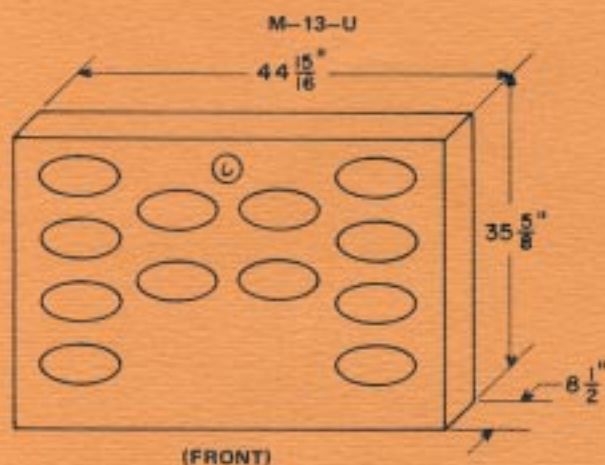
The ultimate in Pedal Speaker Systems with response down to the 16 cycle range, bottom C of the 32' ranks. Used to great advantage with organs of the 660/990 Specification, and a must for custom installations.



Contains:

- 1 - J. B. Lansing 15" Speaker
- 1 - J. B. Lansing Passive Radiator
- 1 - J. B. Lansing Ring Radiator Tweeter
- 1 - Rodgers S-100 Transistor Amplifier

Weight: 116 lbs. Utility Finish.

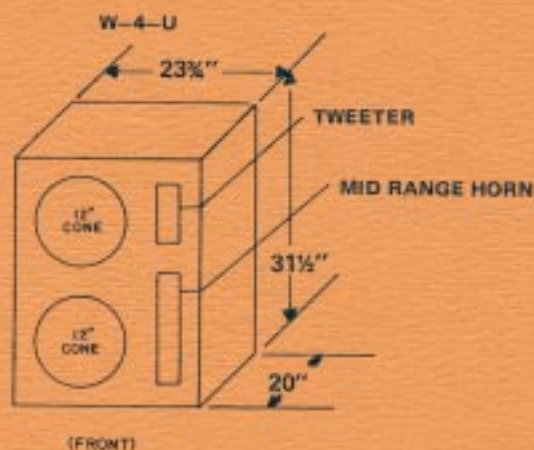


Contains:

- 12 - 6" x 9" Elliptical Speakers
- 1 - J. B. Lansing Ring Radiator Tweeter
- 1 - Rodgers S-100 Transistor Amplifier

Weight: 95 lbs. Utility Finish.

Also available as WM-13 - Grille cloth covered
Only 4-1/2" Deep - Wall Mounting.



Contains:

- 2 - Electro-Voice 12" Speakers
- 1 - Electro-Voice Mid Range Horn
- 1 - Electro-Voice Tweeter
- 1 - Rodgers S-100 Transistor Amplifier

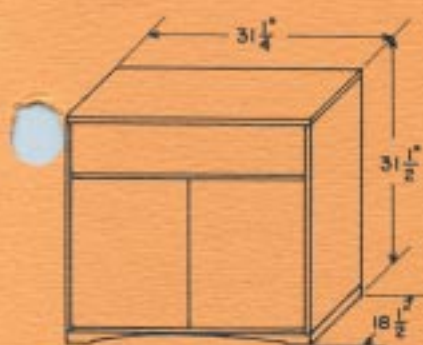
Weight: 110 lbs. Utility Finish.

THE RODGERS AMPLIFIER

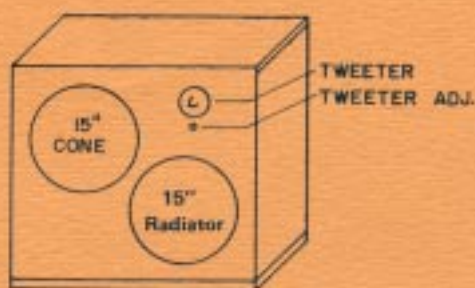
All Rodgers Speaker Systems are powered by the Rodgers S-100 all-transistorized amplifier. This amplifier delivers 100 watts of undistorted RMS power to the speakers, with a flat response from 20 to 20,000 HZ.

This remarkable amplifier insures quiet operation . . . incorporates the most advanced solid-state circuitry . . . and has reserve peak power of 200 watts. It is designed to give years of trouble-free operation.

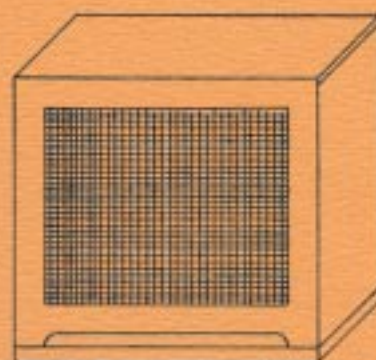
The S-100 represents still another step in Rodgers Organ Company's continuing effort to set new standards of excellence for the entire organ-building industry.



(FRONT)
RW-3
RL-1



(BACK)
RW-3

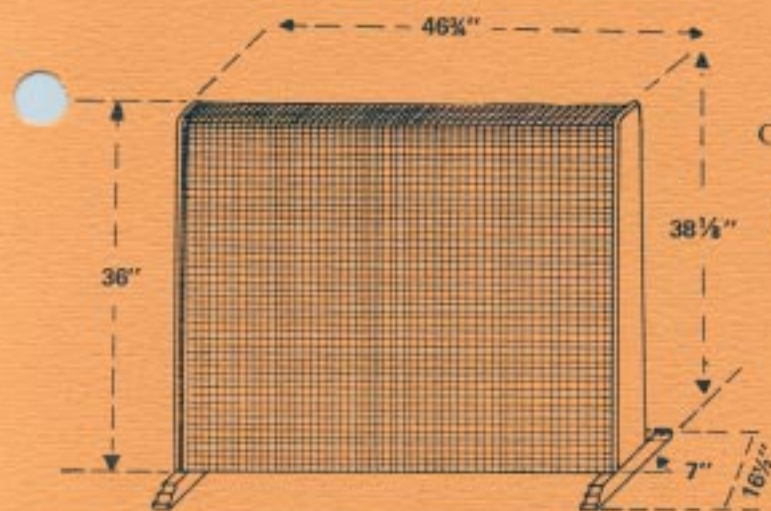


(BACK)
RL-1
LESLIE EFFECT

FURNITURE FINISHED SPEAKER SYSTEMS

The Rodgers RW-3 Furniture Finished Speaker cabinet is designed for use in home or exposed locations. The finish matches exactly the console finish and the design of the system places the speakers on the back of the cabinet so that the sound is bounced off the wall much like a piano. The speaker system is identical to the W-3. Weight is 125 lbs.

The Rodgers RL-1 Furniture Finished Speaker System is usually used with Rodgers Theatre Models and incorporates the Leslie Model 125 Speaker System. This consists of a 2-speed, 1-channel Leslie Rotor Speaker and a Rodgers S-100 amplifier. Weight is 150 lbs. Also available in utility finish.



FM-13

Contains:

WITH
FEET

- 12 - 6" x 9" Elliptical Cone Speakers
- 1 - Special J. B. Lansing Ring Radiator Tweeter
- 1 - Rodgers S-100 Transistor Amplifier

The FM-13 speaker system is covered with grille cloth front and back, and two optional feet. Both sides and feet are finished to match the organ console. Weight: 100 lbs.

PEDAL SPEAKER SYSTEMS

Contains:

- 2 - 15" Electro-Voice Speakers
- 1 - Rodgers S-100 Transistor Amplifier



(FRONT)
P2-U

Using the Folded Exponential Horn principal, the P-2 Pedal Speaker System is unequalled in the industry for low-frequency response. Weight: 300 lbs.